

SN

95-105dB
信号扬声器 SMALL SIZE STEEL HOUSING PHONE



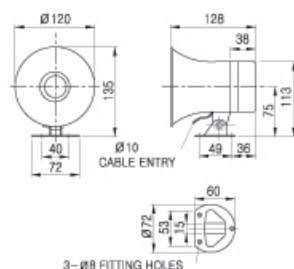
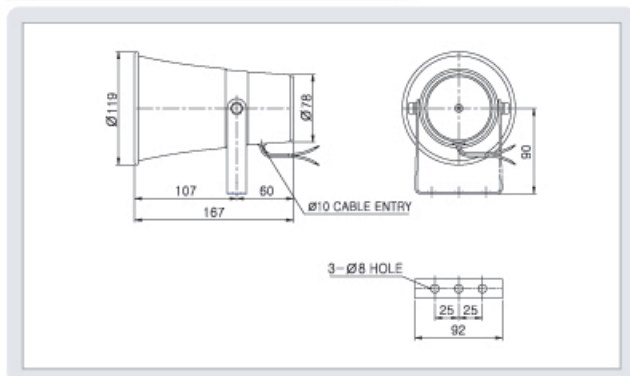
有多种信号音的金属外壳小型扬声器

- 外壳采用了坚固的金属材料
 - 按照防水、防尘 (IP55) 要求设计, 可与室外设备配套使用
 - 内部装有音量电位器, 可自由调节音量大小
 - 有警告音、音乐音、电铃音等多种音调可供选择
 - 外壳标准颜色: 红色
 - 材料: 金属
 - 保护等级: IP55
- High in durability with strong steel housing employed
 - Water and dust proof(IP55) structure makes its outdoor installation possible
 - Possible to control volume level by using the built-in volume controller
 - Built-in warning sound, melody and alarm, each of which has 5 sounds and 3 voices signal channels.
 - Body standard color : RED
 - Material : Steel Housing
 - Protection class : IP55

型号 Model	内装音 Built-in Sounds	音量 dB	电压 Rated Voltage	电压/电流 Voltage /Current	重量 Weight
SN	WS 警告音5音 5 Warning sounds	105dB	• DC12V • DC24V • AC110V • AC220V	• DC12V /0.170A • DC24V /0.220A • AC110V /0.035A • AC220V /0.018A	DC- 0.88Kg AC- 1.04Kg
	WM 音乐音5音 5 Melodies	105dB			
	WA 警报音5音 5 Alarms	103dB			
	WV 声音信号3频道 3 Voice signals	95dB			

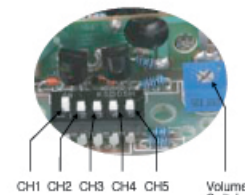
※ 温度使用范围: -20℃~50℃
 ※ 音调的详细说明请参照8-9页
 ※ Operating temperature : -20℃~50℃
 ※ For a detailed specification of sound tone, please refer to page 8-9.

外形图 (External view drawing)

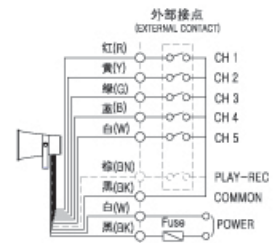


音色选择方法 (Method of selecting sound tone)

标准规格(Standard)
-利用内部开关 Internal Switch



订做规格(Custom Made)
-利用外部接点(LC) External Contact



SN 产品指定 (Order Specification)

型号(Model)	音色(Sound tone)	电压(Voltage)	选者音色(Sound Selection)
-SN	-WS(警告音) -WM(音乐音) -WA(警报音) -WV(声音信号)	-12-DC12V -24-DC24V -110-AC110V -220-AC220V	-无指定(None) -选择内部开关 Internal Switch -LC指定(Order) -选择外部接点 External Contact

- 标准产品是利用内部开关来选择音调
- 用外部接点(LC TYPE)选择音调是订做规格
- Standard type select sound tone by internal dip switch.
If you want to choose sound tone by using external contact, it is custom-made(Separate signal wire gets out from product)
- AC产品: 电源线 外接型, 电线规格 UL1015-NO.16(1.25sq) x2C 400mm
- DC产品: 电源线 外接型, 电线规格 UL1015-NO.16(1.25sq) x2C 400mm
白线接正极, 黑线接负极线
- 信号线: UL1007-NO.22(0.3sq) 400mm
- AC : Power line out from the product UL1015-NO.16(1.25sq)x2C 400mm
- DC : Power line out from the product UL1015-NO.16(1.25sq)x2C 400mm
W (+) connection, BK (-) connection

SN-1

- 内装警告1音, DC电压专用经济型产品
- 订单时请指定需要的音调和电压
- Low-price, small-size phone SN-1 which has 1 warning sound built-in and is in exclusive DC voltage use.(custom-made)
- If you order, fix necessary sound tone and voltage separately.